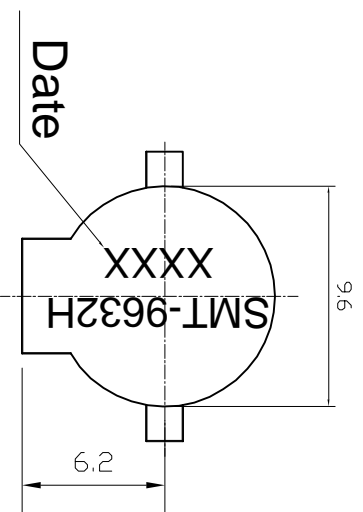
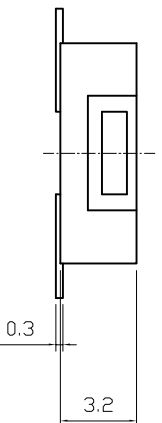
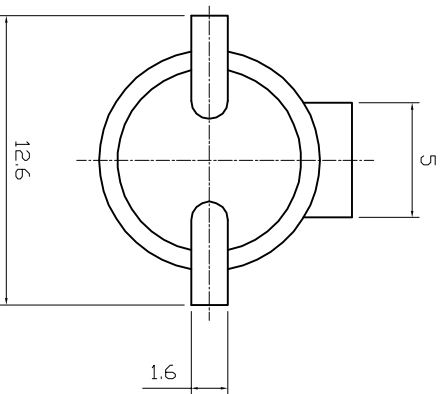


# SPECIFICATION

- 1. Rated Voltage .....1.5V
- 2. Operating Voltage .....1-2V
- 3. Resonant Frequency .....2731Hz
- 4. Min. Sound Pressure Level.....85dB at 10cm
- 5. Coil Resistance .....5.5±1 Ω
- 6. Max. current Consumption .....80mA
- 7. Operating Temperature .....-25~+70℃
- 8. Store Temperature .....-30~+80℃
- 9. Weight .....3.5g



No.	DESCRIPTION	APPROVED	DATE	<b>KEPO</b> NINGBO KEPO ELECTRONIC CO.,LTD <a href="http://www.chinaacoustic.com">http://www.chinaacoustic.com</a>		
<small>FOR INFORMATION</small> <small>FOR APPROVALS</small>		APPROVALS	DATE			
<small>DESIGNER</small> <small>CHECKED</small> <small>DATE</small>	<small>DRAWN</small> <small>APPROVED</small>	LHI	07.10.27	UNIT	mm	<small>PROGNO</small> KP3.840.895
<small>SCALE</small> NOT TO SCALE			<small>SHEET</small> 1/2	<small>VER</small> 1.2		

1	2	3	4	5	6	7	8
A	B	C	D	E	F	A	B